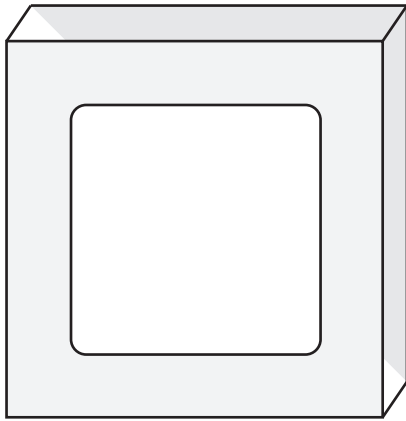
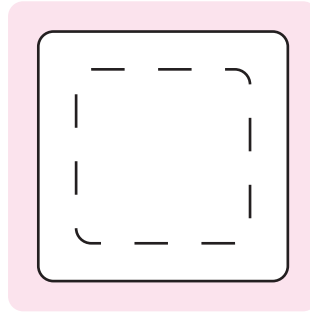


ART APPROVAL

All colours used in this document are indicative only and they may vary across a variety of printing techniques and confectionery



Option 1



100%

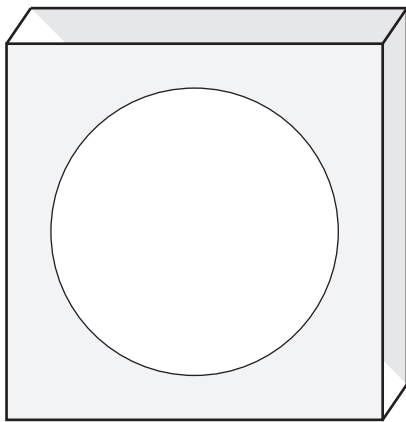
STICKER NOTES

Square Sticker: 33mmW x 33mmH

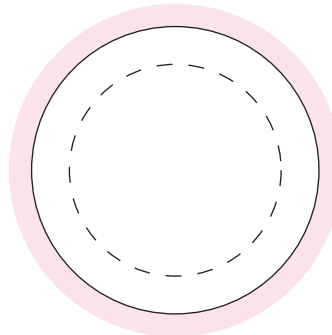
Bleed 3mm

Safe Print Area: 5mm from edge

When artwork is printed, there can be movement of up to 3mm



Option 2



100%

STICKER NOTES

Round Sticker: 38mmD

Bleed 3mm

Safe Print Area: 5mm from edge

When artwork is printed, there can be movement of up to 3mm

Product Code : CC013E

Description : 110g Acetate Soft Cube filled with Jelly Beans
Order# :
Company Name :
Contact :
Jelly Bean Colour :
Sticker Size : 33mmW x 33mmH OR 38mm Diameter
Print Colour : **Customer must provide PMS Colour print guide**
Quantity :
Delivery Date :

Please note: Stickers are printed digitally, please provide PMS colours if a close match is crucial and please inform us of this when ordering. If PMS colours are not provided we will print directly from the file and resulting print will be taken as correct. Not all PMS colours can be matched. Exact PMS colour match is NOT guaranteed. It is highly recommended that editable linework is provided, without this we cannot be held responsible for colour discrepancies

I HAVE CHECKED THIS ARTWORK & AUTHORISE THIS ORDER TO PROCEED

Name :
Company :
Date :
Signature :

Office Use Only
Proof # :
Date :
Job No :
File :